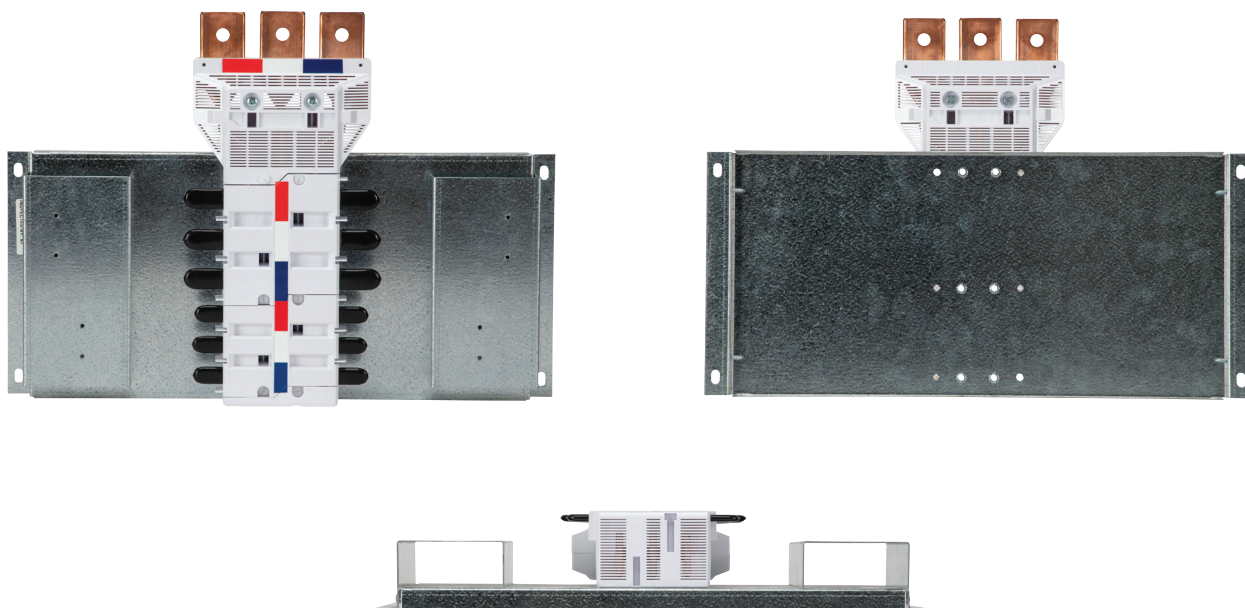


Datasheet

3 Phase Encapsulated Chassis for DPX³ MCCB



Busbar Rating	630A	800A
Description	Encapsulated DPX ³ MCCB chassis 3P 50 kA / 0.5s	
Rated operational voltage (Ue)	415 V	
Rated insulation voltage (Ui)	690 V	
Rated impulse withstand voltage (Uimp)	6 kV	
Busbar Size	6.35 x 40 mm copper	8.0 x 40 mm copper
Rated conditional short circuit current (Icc)	50 kA	
Rated short time withstand current (Icw)	50 kA / 0.5 sec	50 kA / 1 sec
Pole Capacity (Single Sided)	3P - 36P	
Pole Capacity (Double Sided)	6P - 72P	
Pitch options	27 mm, 35 mm (Hybrid on special order)	
Mounting Pan	1.6 mm Galvanised Steel	
Mounting Rail		
IP Rating	IP20	
Pollution Degree	3	
Form of Separation	4ah (with terminal shields fitted to MCCBs)	
Material Group	IIIa	
Options	Bottom feed, Top feed, Dual Feed, Single sided, Double sided	
Compliance	AS/NZS 61439.2	

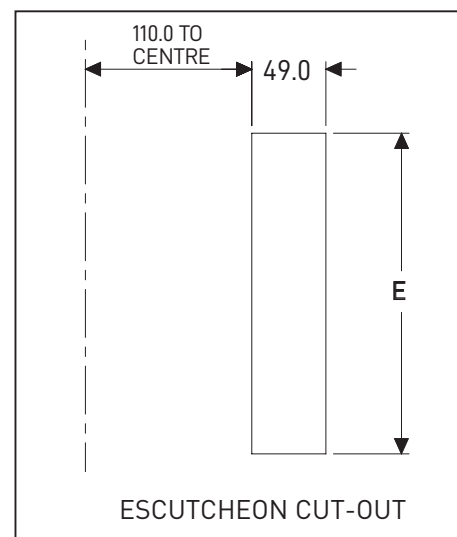
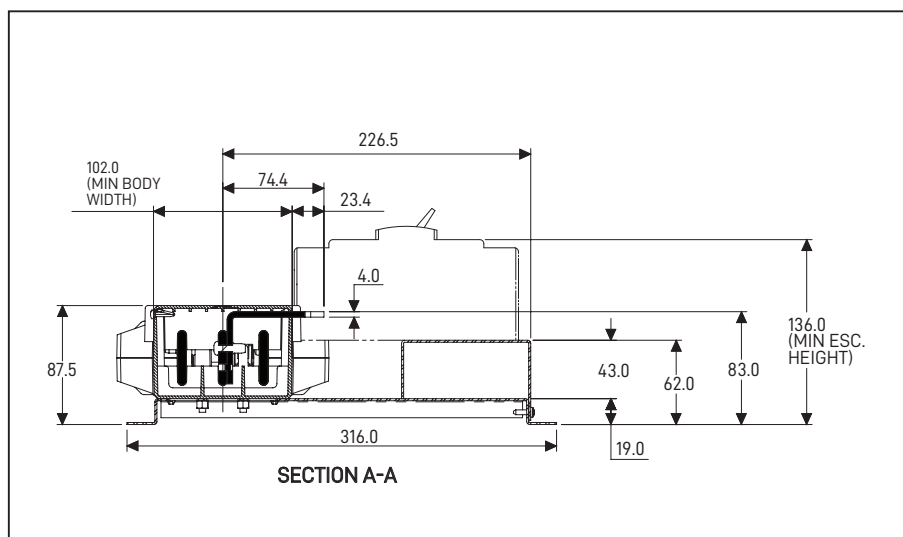
DIMENSIONS

630A OR 800A SINGLE SIDED 35MM PITCH

PART NUMBER XXX DESIGNATES "A" RATING USE 630 FOR 630A USE 800 FOR 800A	NUMBER OF POLES	DIMENSIONS (mm)					
		A (DF)	A (TF/BF)	B	C	D	E
LENCXXS3503	3	393	268	137	117	105	107
LENCXXS3506	6	498	373	242	222	210	212
LENCXXS3509	9	603	478	347	327	315	317
LENCXXS3512	12	708	583	452	432	420	422
LENCXXS3515	15	813	688	557	537	525	527
LENCXXS3518	18	918	793	662	642	630	632
LENCXXS3521	21	1023	898	767	747	735	737
LENCXXS3524	24	1128	1003	872	852	840	842
LENCXXS3530	30	1338	1213	1082	1062	1050	1052
LENCXXS3536	36	1548	1423	1292	1272	1260	1262

NOTE

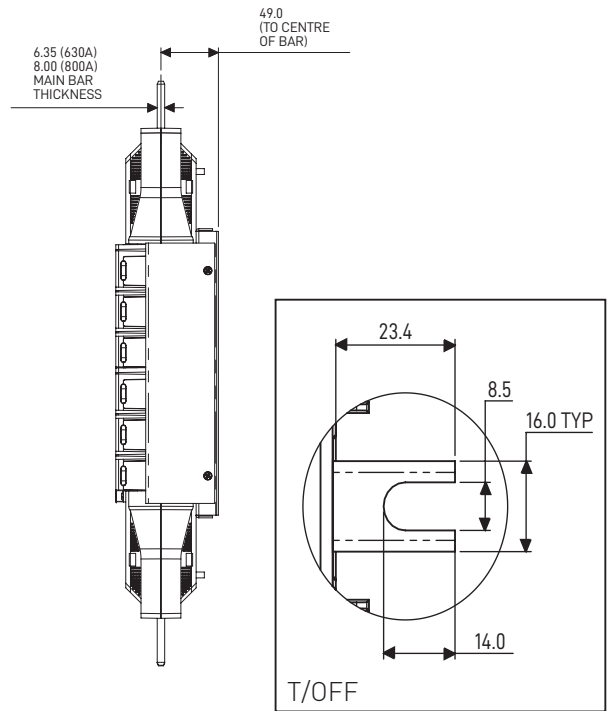
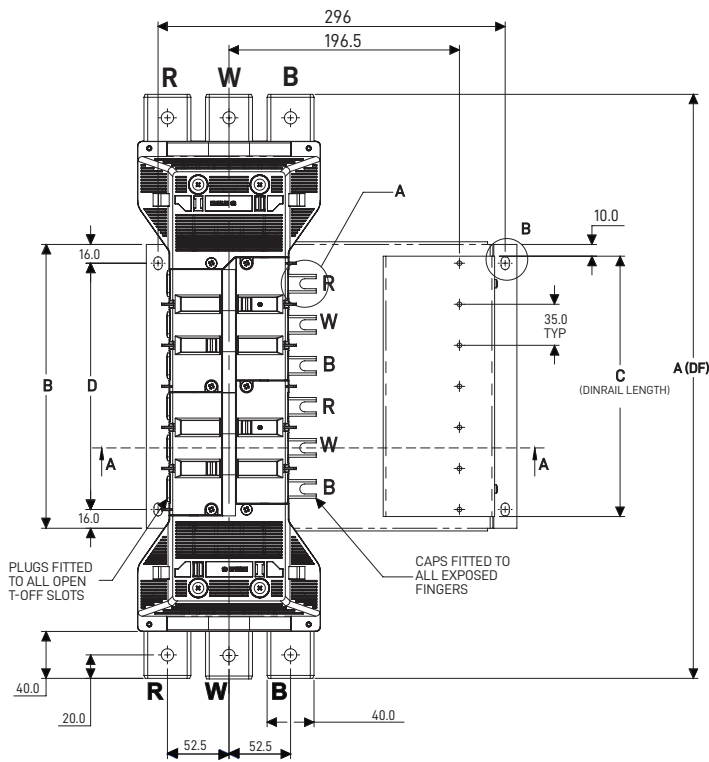
1. ALL UNITS CAN BE ORDERED WITH EITHER "DF"(DUAL FEED), "TF" (TOP FEED), "BF" (BOTTOM FEED) TO BE ADDED AT THE END OF PART NO.
2. FOR RIGHT HAND LOAD, ADD IN PART NO. "R" BEFORE FEEDING OPTION (DF,TF,BF) FOR LEFT HAND LOAD, ADD IN PART NO. "L" BEFORE FEEDING OPTION (DF,TF,BF). e.g. LENC630S3503LBF, LENC800S3512RDF



3 Phase Encapsulated Chassis for DPX³ MCCB

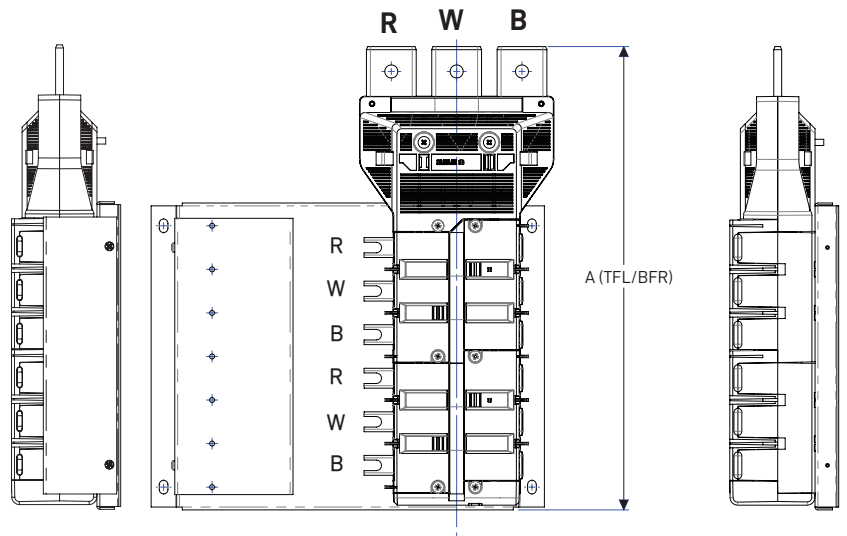
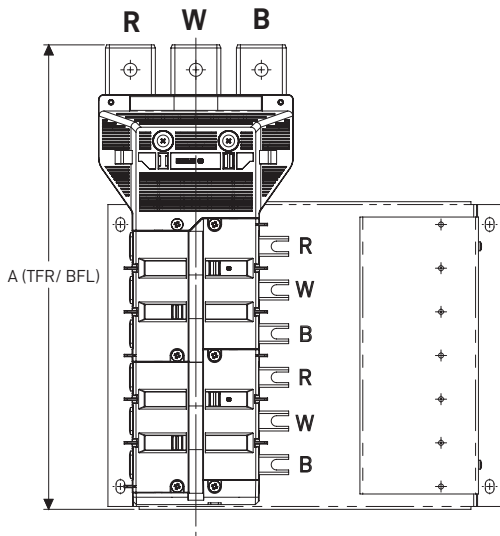


DUAL FEED



TOP FEED RIGHT (BOTTOM FEED LEFT)

TOP FEED LEFT (BOTTOM FEED RIGHT)

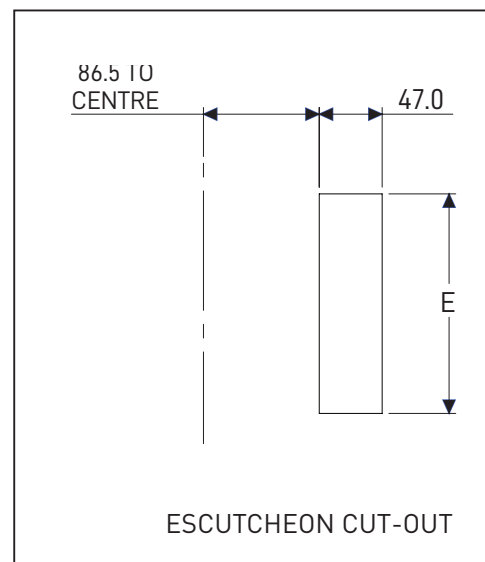
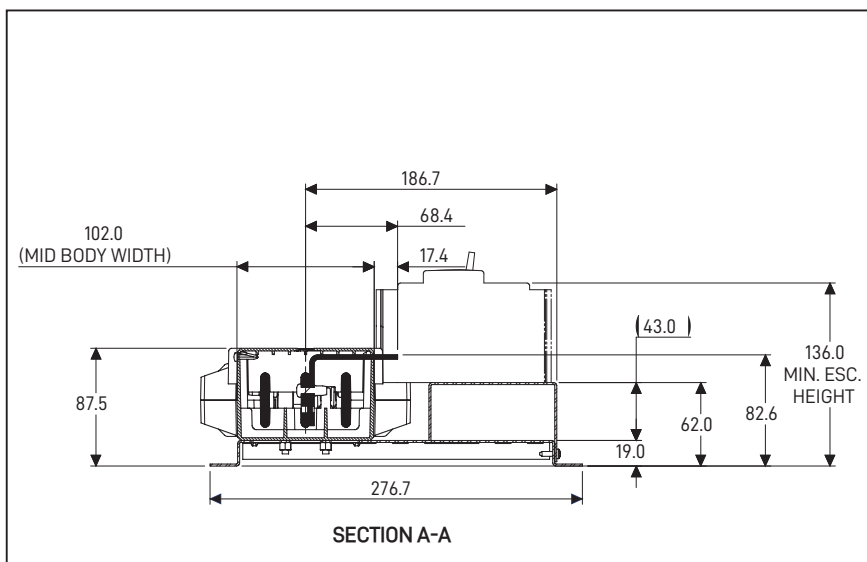


630A OR 800A SINGLE SIDED 27MM PITCH

PART NUMBER XXX DESIGNATES "A" RATING USE 630 FOR 630A USE 800 FOR 800A	NUMBER OF POLES	DIMENSIONS (mm)					
		A (DF)	A (TF/BF)	B	C	D	E
LENCXXS2703	3	369	243.3	113	93	81	83
LENCXXS2706	6	450	324.3	194	174	162	164
LENCXXS2709	9	531	405.3	275	255	243	245
LENCXXS2712	12	612	486.3	356	336	324	326
LENCXXS2715	15	693	567.3	437	417	405	407
LENCXXS2718	18	774	648.3	518	498	486	488
LENCXXS2721	21	855	729.3	599	579	567	569
LENCXXS2724	24	936	810.3	680	660	648	650
LENCXXS2730	30	1098	972.3	842	822	810	812
LENCXXS2736	36	1260	1134.3	1004	984	972	974

NOTE

1. ALL UNITS CAN BE ORDERED WITH EITHER "DF"(DUAL FEED), "TF" (TOP FEED), "BF" (BOTTOM FEED) TO BE ADDED AT THE END OF PART NO.
2. FOR RIGHT HAND LOAD, ADD IN PART NO. "R" BEFORE FEEDING OPTION (DF,TF,BF) FOR LEFT HAND LOAD, ADD IN PART NO. "L" BEFORE FEEDING OPTION (DF,TF,BF) e.g.LENC800S2736LBF, LENC630S2709RDF

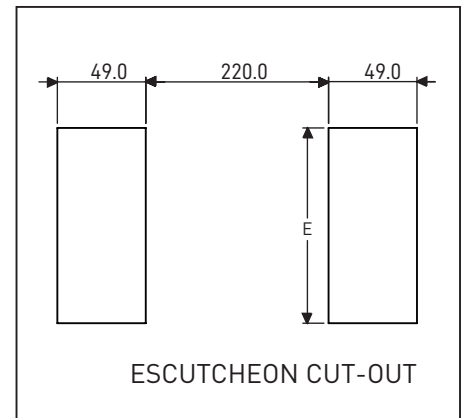
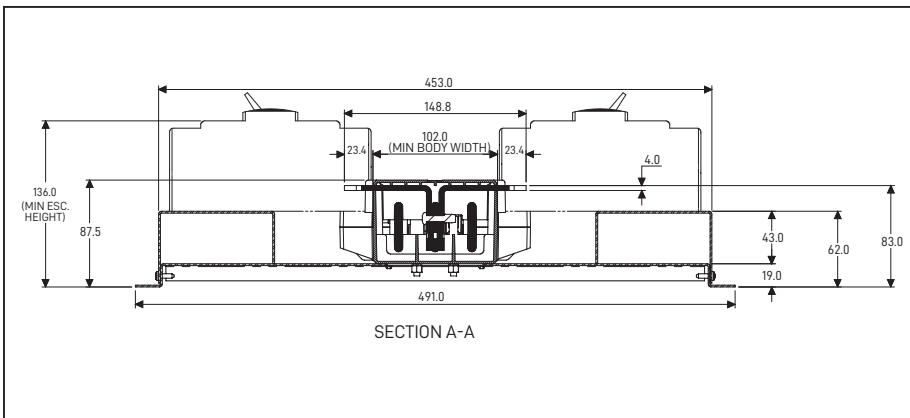


630A OR 800A DOUBLE SIDED 35MM PITCH

PART NUMBER XXX DESIGNATES "A" RATING USE 630 FOR 630A USE 800 FOR 800A	NUMBER OF POLES	DIMENSIONS (mm)					
		A (DF)	A (TF/BF)	B	C	D	E
LENCXXX3506	6	393	268	137	117	105	107
LENCXXX3512	12	498	373	242	222	210	212
LENCXXX3518	18	603	478	347	327	315	317
LENCXXX3524	24	708	583	452	432	420	422
LENCXXX3530	30	813	388	557	537	525	527
LENCXXX3536	36	918	793	662	642	630	632
LENCXXX3542	42	1023	898	767	747	735	737
LENCXXX3548	48	1128	1003	872	852	840	842
LENCXXX3560	60	1338	1213	1082	1062	1050	1052
LENCXXX3572	72	1548	1423	1292	1272	1260	1262

NOTE

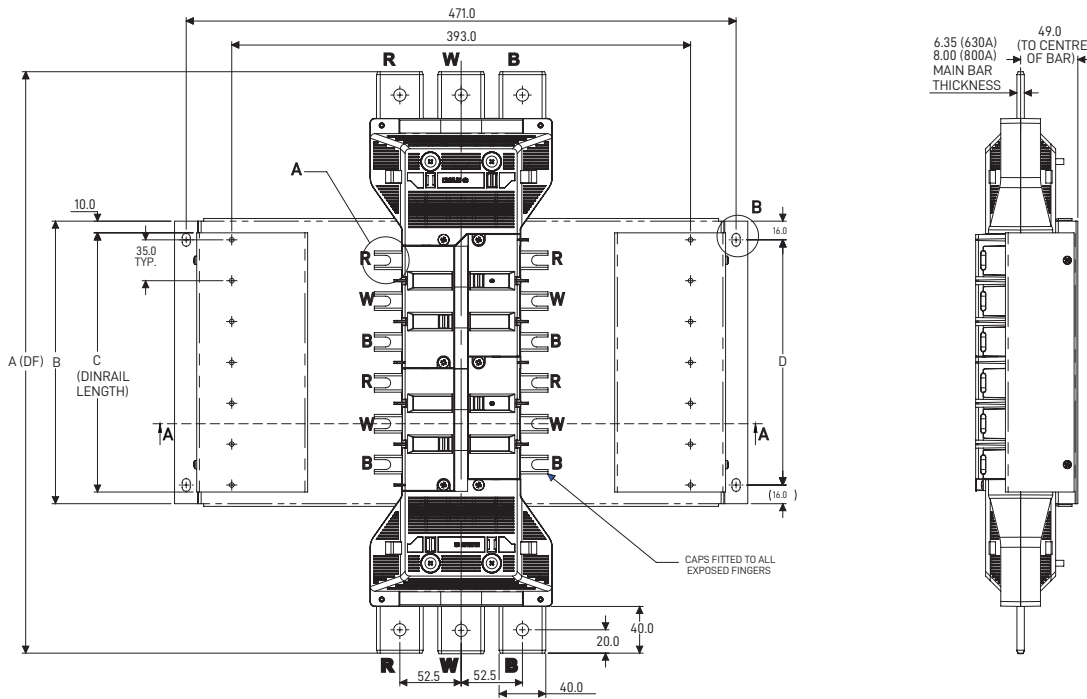
1. ALL UNITS CAN BE ORDERED WITH EITHER "DF"(DUAL FEED), "TF" (TOP FEED), "BF" (BOTTOM FEED) TO BE ADDED AT THE END OF PART NO.
e.g. LENC6303536TF, LENC8003572DF



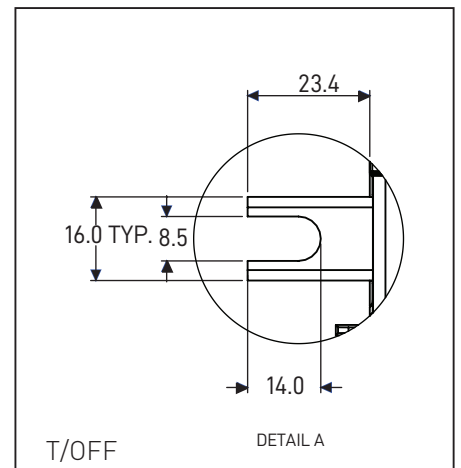
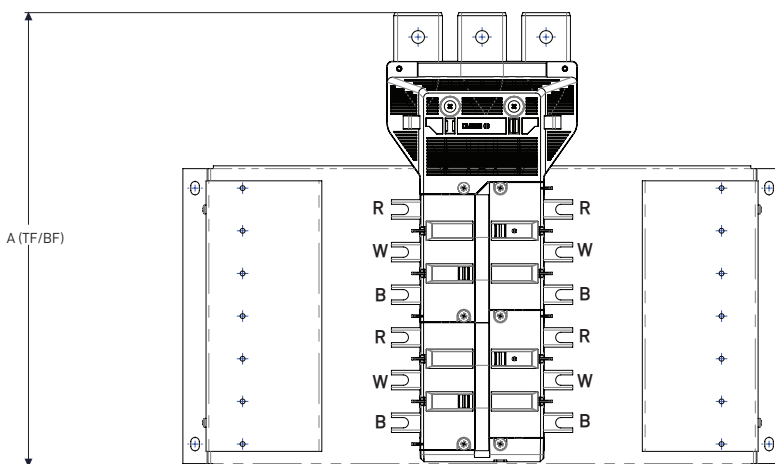
3 Phase Encapsulated Chassis for DPX³ MCCB



DUAL FEED



TOP / BOTTOM FEED

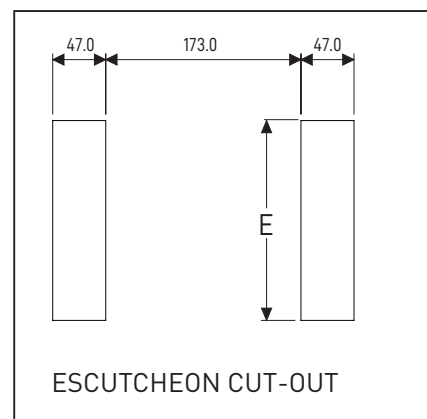
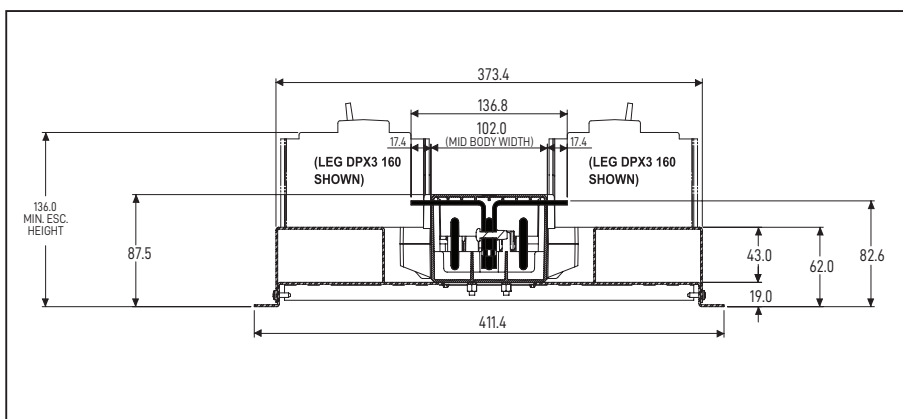


630A OR 800A DOUBLE SIDED 27MM PITCH

PART NUMBER	NUMBER OF POLES	DIMENSIONS (mm)					
		A (DF)	A (TF/BF)	B	C	D	E
LENCXXX2706	6	369	243.3	113	93	81	83
LENCXXX2712	12	450	324.3	194	174	162	164
LENCXXX2718	18	531	405.3	275	255	243	245
LENCXXX2724	24	612	486.3	356	336	324	326
LENCXXX2730	30	693	567.3	437	417	405	407
LENCXXX2736	36	774	648.3	518	498	486	488
LENCXXX2742	42	855	729.3	599	579	567	569
LENCXXX2748	48	936	810.3	680	660	648	650
LENCXXX2760	60	1098	972.3	842	822	810	812
LENCXXX2772	72	1260	1134.3	1004	984	972	974

NOTE

- ALL UNITS CAN BE ORDERED WITH EITHER "DF"(DUAL FEED), "TF" (TOP FEED), "BF" (BOTTOM FEED) TO BE ADDED AT THE END OF PART NO.
e.g. LENC6302706BF, LENC8002730DF

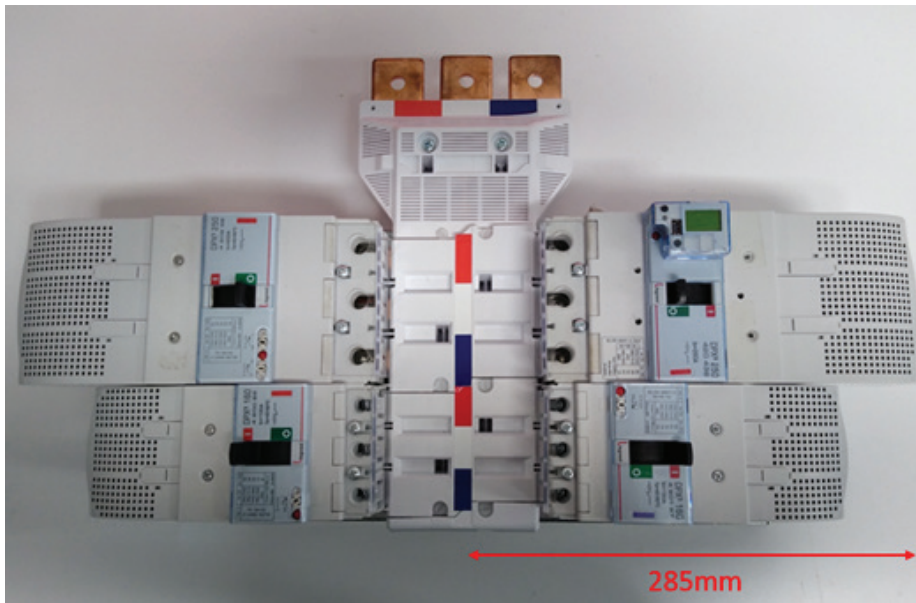


Installation Instructions

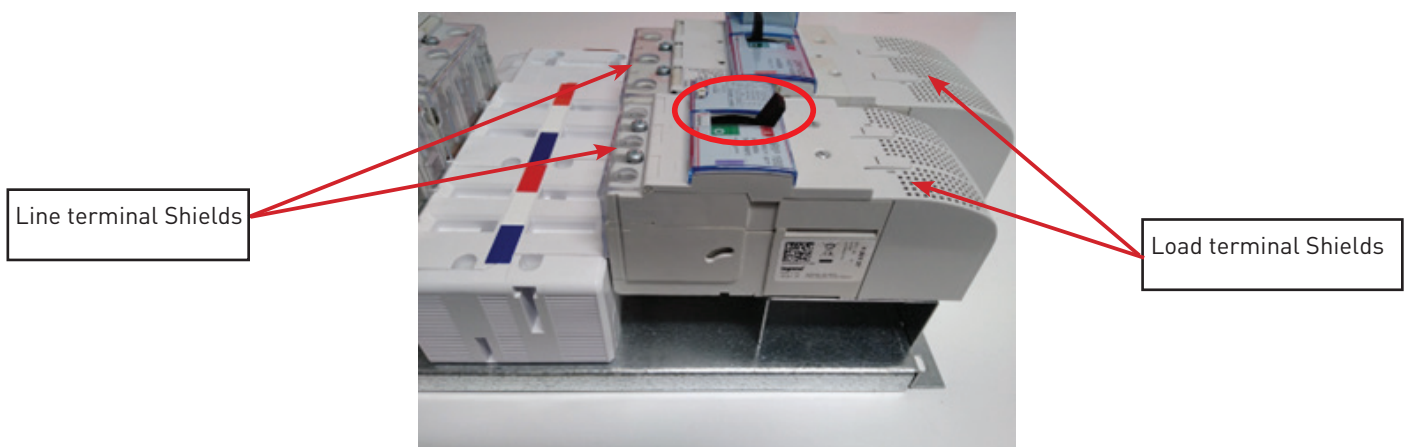
Each MCCB will require 1 piece of terminal shield on the Line side of the Chassis and 1 piece on Load side. 2 pieces of terminal shields are included. See the table below.

MCCB		DPX ³ 160A	DPX ³ 250A
Terminal Shields	Line side	LEG-DPX3-160LTS	LEG-DPX3-250LTS
	Load side	421054	421056

- Compatible only with DPX³ MCCBs.

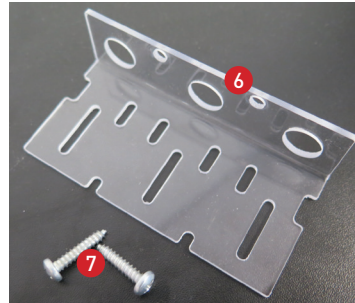
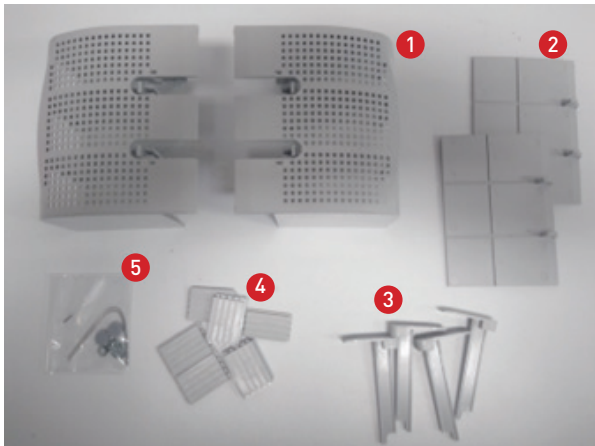


Note: To achieve Form of Separation 4ah, it will be required that terminal shields are fitted to MCCBs. Refer to terminal shields section above for compatible parts.



- MCCBs are oriented on chassis with ON toggle position away from centre of chassis.

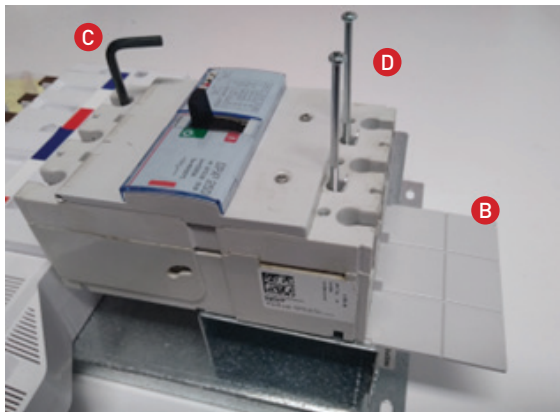
Terminal Shield Contents



- 1 Shield
- 2 Undercover
- 3 Locking pins
- 4 End caps
- 5 Seal
- 6 Line-side terminal cover
- 7 2 x Screws

STEPS

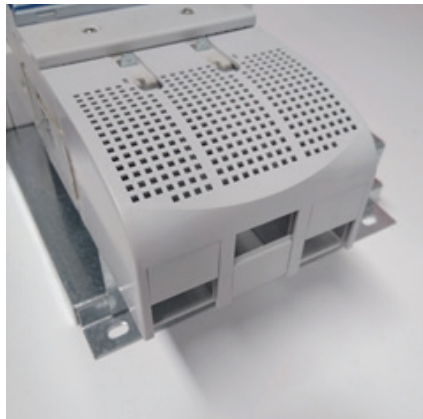
- A Fit undercover 2 beneath MCCB on load side.
- B Place MCCB on Chassis in correct orientation.
- C Tighten line terminals with allen key.
- D Insert 2 x mounting screws and fix load side of MCCB to chassis' pan.



3 Phase Encapsulated Chassis for DPX³ MCCB



- E** Connect outgoing circuit to load side.
Fit shield **1** and add/remove End caps **4** so they fit around cable/busbar to ensure IP2X protection.

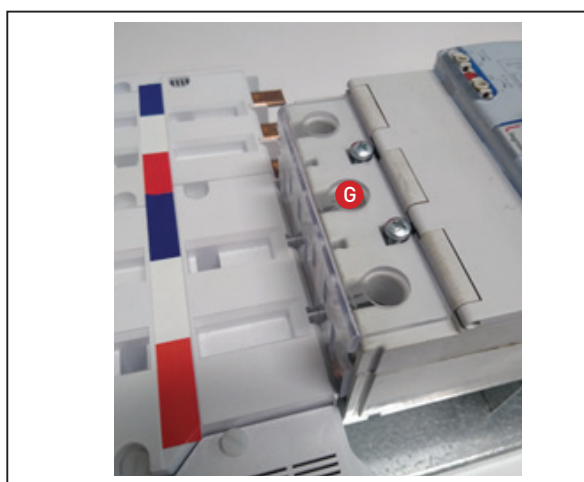


- End caps **4** can be trimmed with pliers to suit rear cable entry.
- Undercover **2** can be shorted with pliers to suit bottom cable entry.

- F** Insert Locking pins **3** and fix Seals **5**.



- G** Fix Line-side terminal cover **6**. Tighten the screws **7** and secure the cover.



Legrand Australia
1300 369 777
www.legrand.com.au
ABN 31 000 102 661

Legrand New Zealand
0800 476 009
www.legrand.co.nz

Refer to your group buying office, Legrand Sales Representative or Legrand Sales Office for pricing.

Please note: specifications are subject to change without prior notice.



LE14208AA

01 / 2024